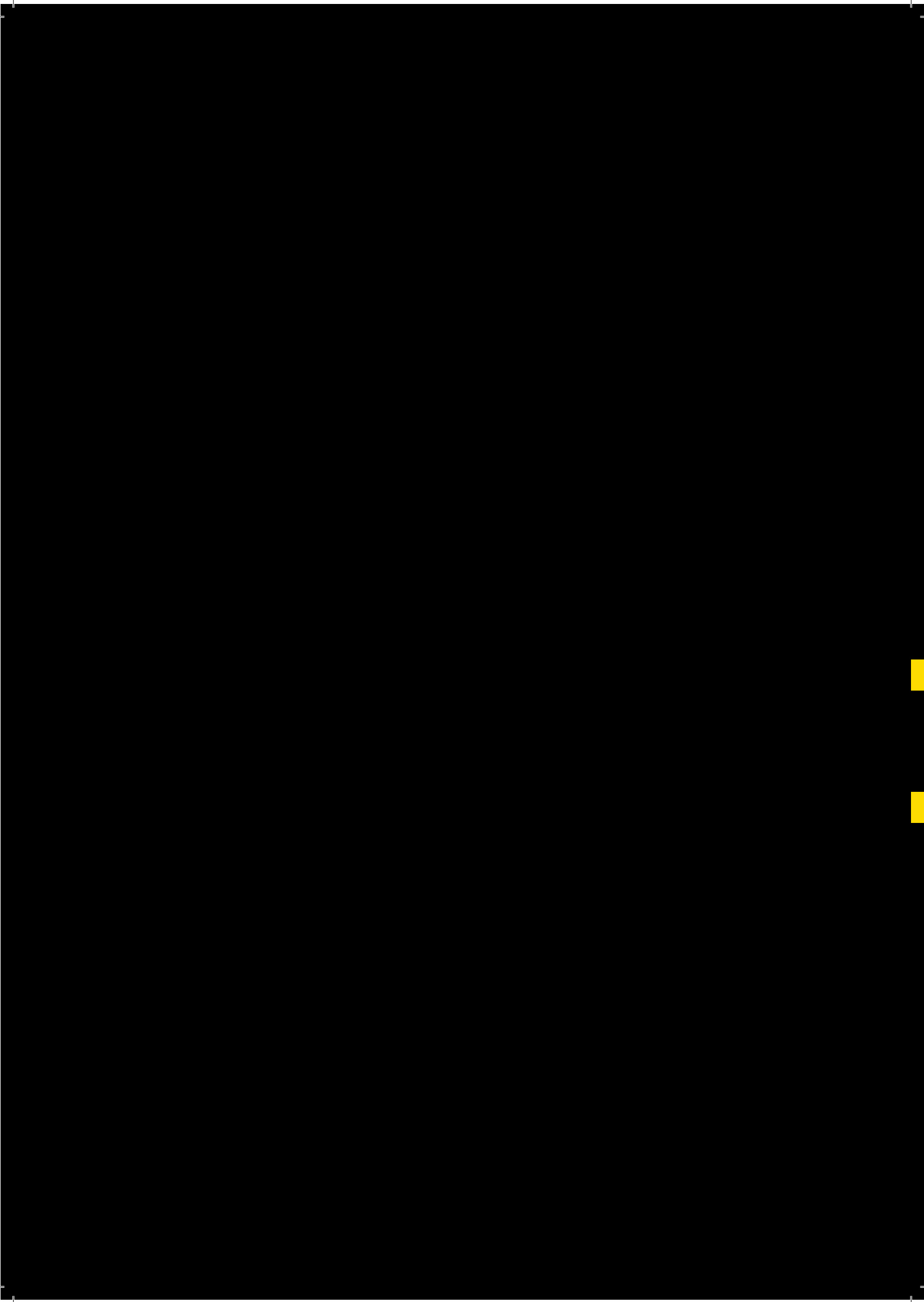
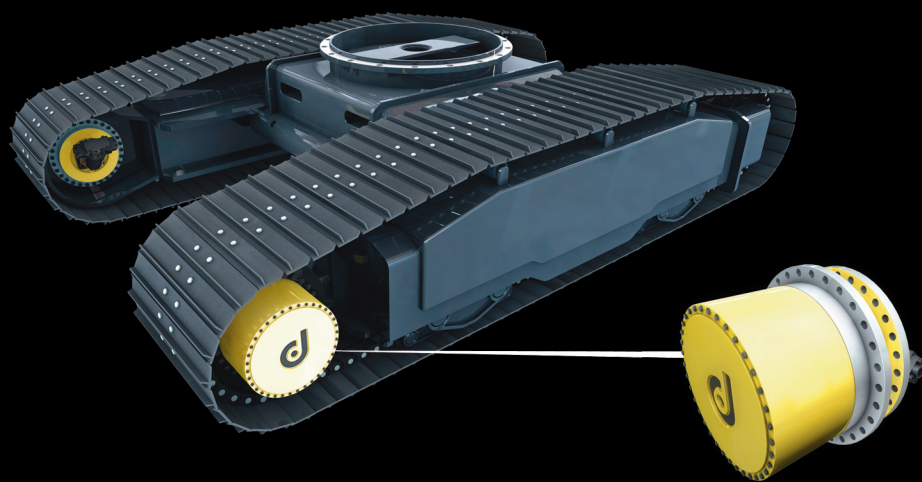


Track drives

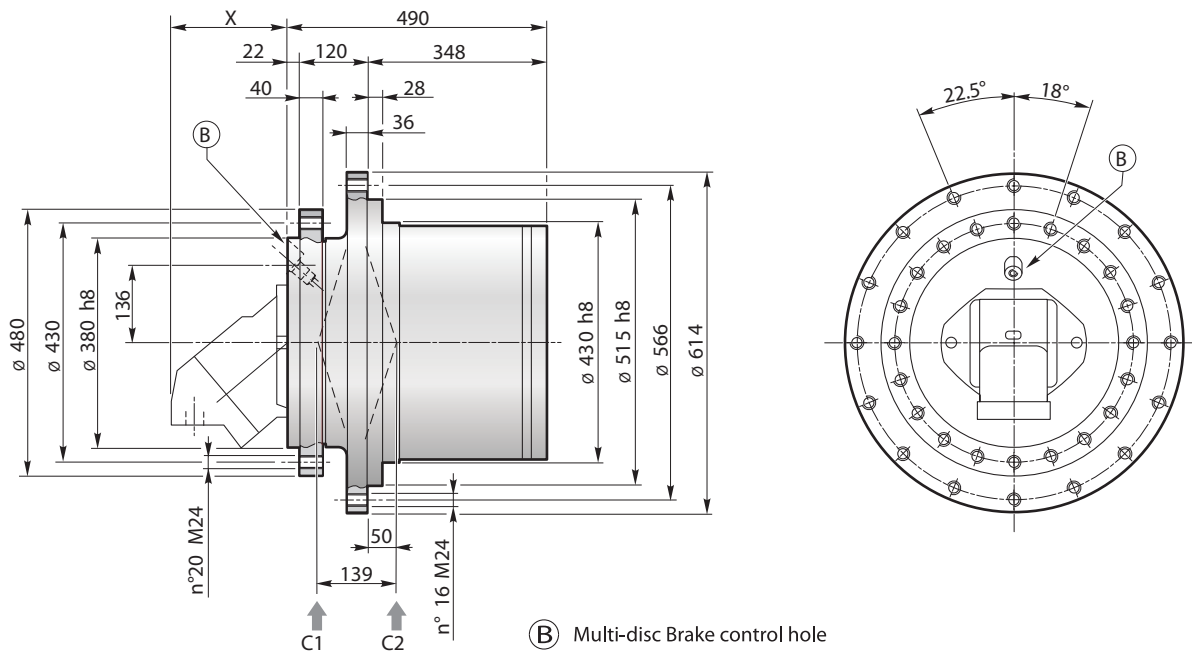


d **dinamic oil**





Track drives



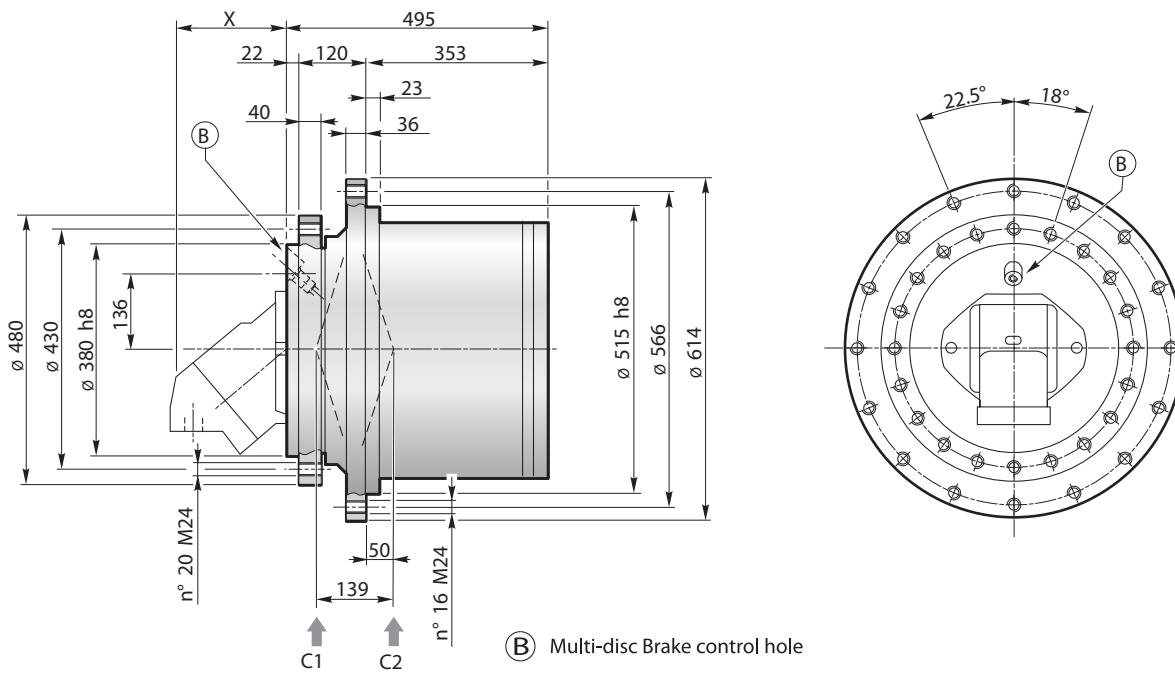
Equipped with Hydraulic motor

VOAC F12-60	X = 146	VOAC F12-80	X = 157	VOAC F12-110	X = 175
SAUER 51C060	X = 207	SAUER 51C080	X = 212	SAUER 51C110	X = 219

Different input execution available on demand.

Output dimension

Maximum output torque (Nm)	Capacity of bearings		Weight without motor (Kg)	Oil Quantity (lt)	Brake torque (Nm)	Opening pressure (bar)	Max. brake pressure (bar)
	C dynamic (Kn)	Co static (Kn)					
100000	512	1080	410	6.5	950÷460	17	300
Effective Reduction Ratio							
101.3	114.4	131.7	149.4	153.9	173.7	185.5	209.3



(B) Multi-disc Brake control hole

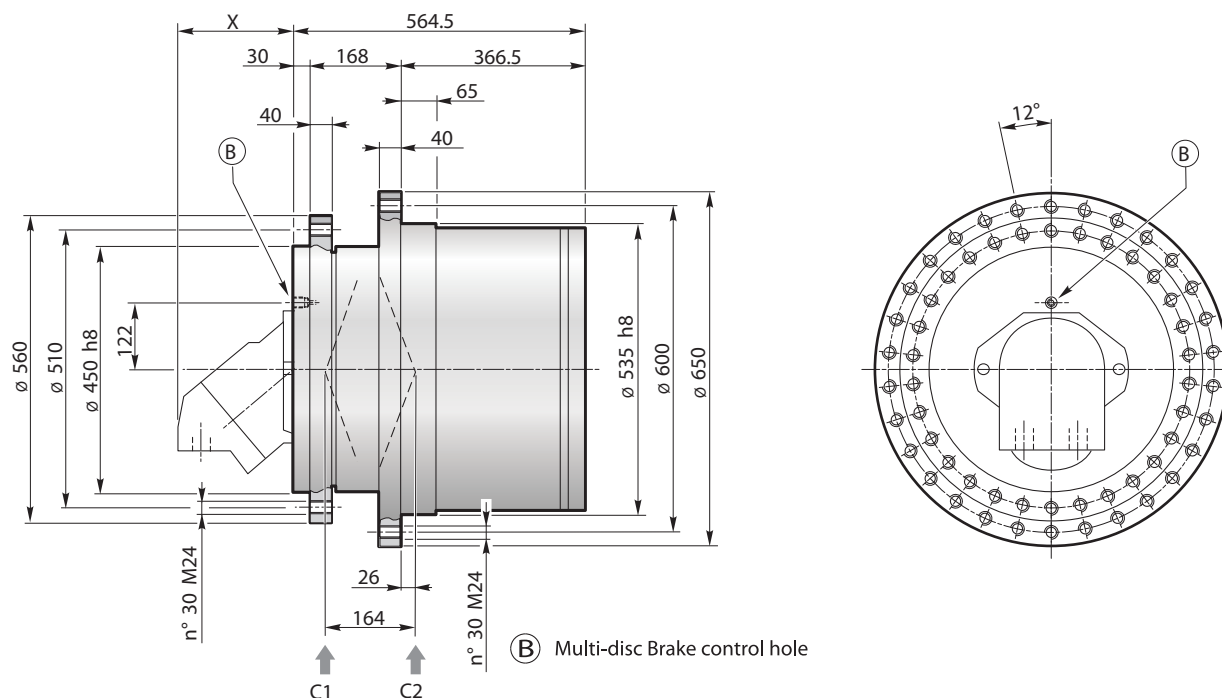
Equipped with Hydraulic motor

VOAC F12-80	X = 157	VOAC F12-110	X = 175		
SAUER 51C080	X = 212	SAUER 51C110	X = 219	SAUER 51C160	X = 240

Different input execution available on demand.

Output dimension

Maximum output torque (Nm)	Capacity of bearings		Weight without motor (Kg)	Oil Quantity (lt)	Brake torque (Nm)	Opening pressure (bar)	Max. brake pressure (bar)
	C dynamic (Kn)	Co static (Kn)					
150000	512	1080	440	7.5	950÷590	17	300
Effective Reduction Ratio							
86.6	97.6	112.6	134.6	141.7	161.4	188.4	227.8



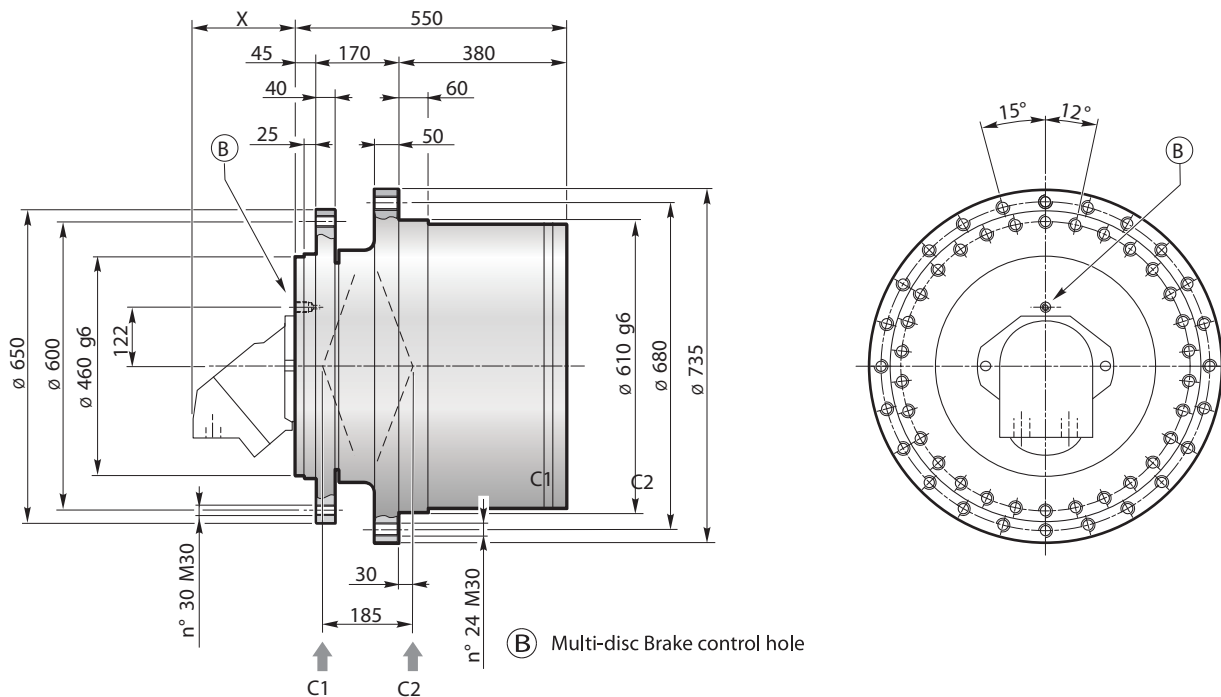
Equipped with Hydraulic motor

VOAC F12-110	X = 175	VOAC F11-150 CETOP	X = 307
SAUER 51C110	X = 219	SAUER 51C160	X = 240

Different input execution available on demand.

Output dimension

Maximum output torque (Nm)	Capacity of bearings		Weight without motor (Kg)	Oil Quantity (lt)	Brake torque (Nm)	Opening pressure (bar)	Max. brake pressure (bar)
	C dynamic (Kn)	Co static (Kn)					
170000	765	1660	680	11.5	1160÷720	15	300
Effective Reduction Ratio							
86.6	97.6	112.6	134.6	141.7	161.4	188.4	227.8



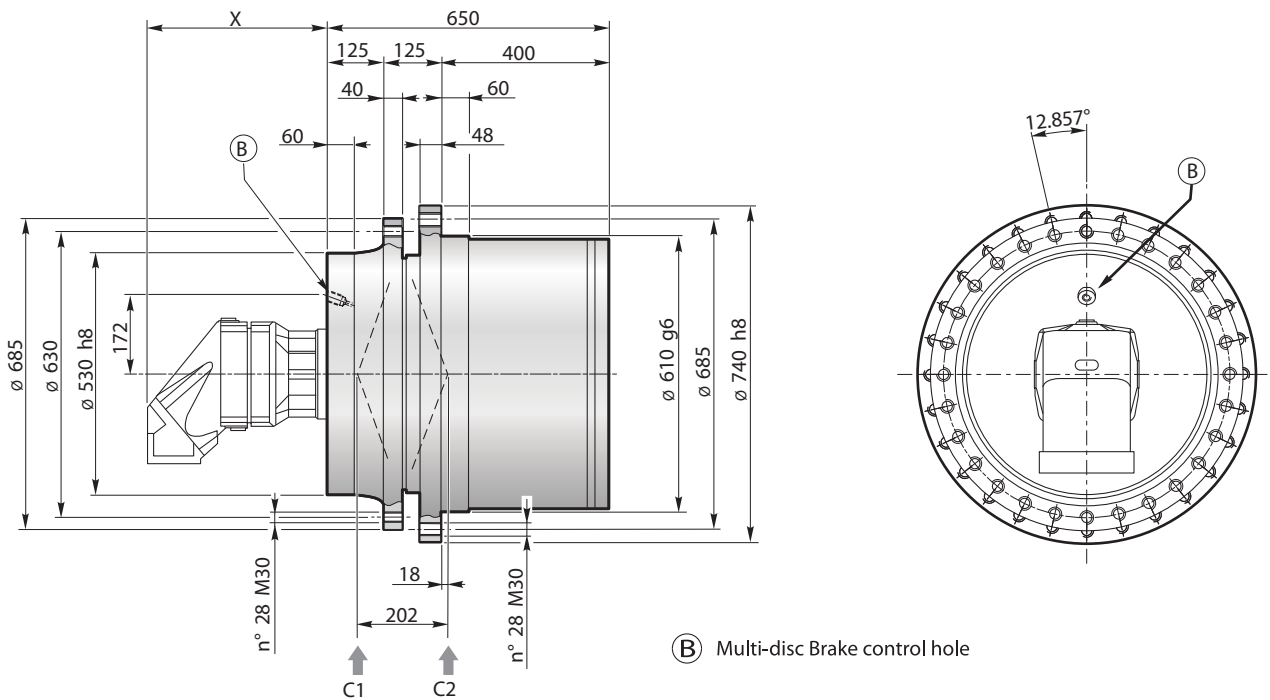
Equipped with Hydraulic motor

VOAC F11-150 CETOP	X = 307	VOAC F11-250	X = 431
SAUER 51C160	X = 239	SAUER 51V250	X = 460

Different input execution available on demand.

Output dimension

Maximum output torque (Nm)	Capacity of bearings		Weight without motor (Kg)	Oil Quantity (lt)	Brake torque (Nm)	Opening pressure (bar)	Max. brake pressure (bar)
	C dynamic (Kn)	Co static (Kn)					
240000	765	1660	880	15	1550÷560	18	300
Effective Reduction Ratio							
86.6	97.6	112.6	142.6	161.5	187	223.3	241.5



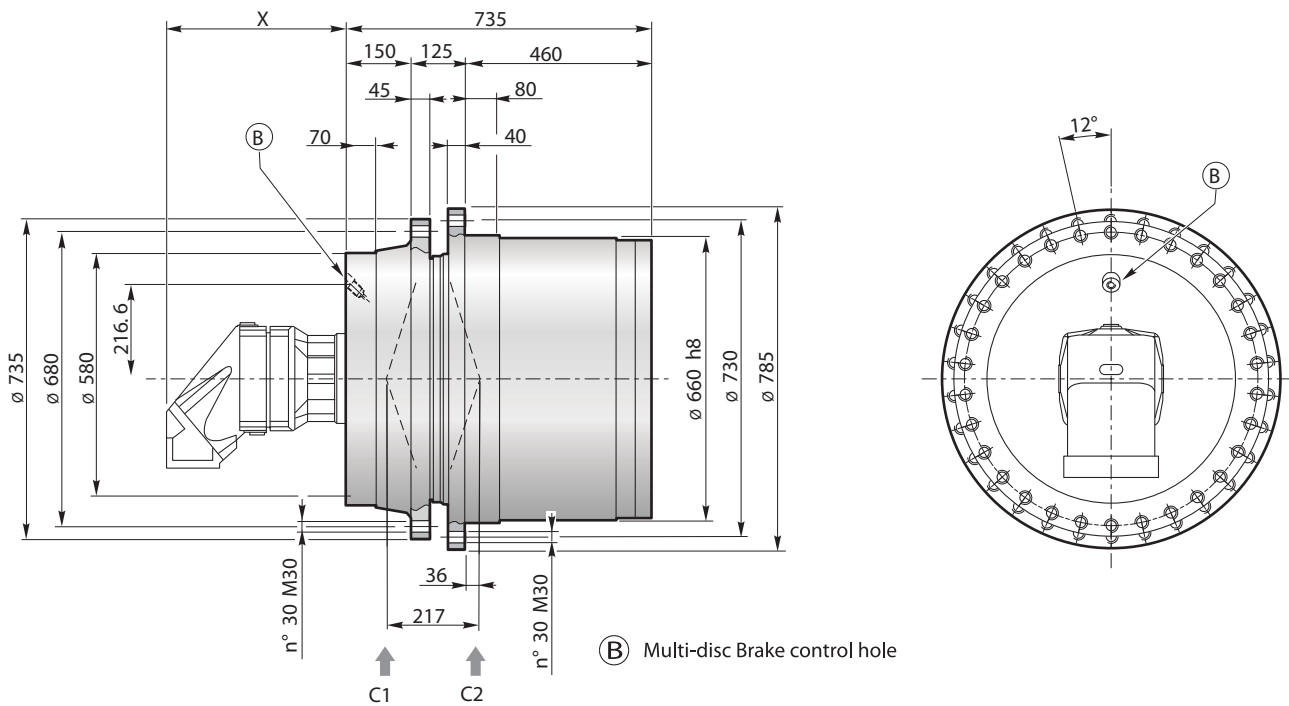
Equipped with Hydraulic motor

VOAC F11-250	X = 431		
SAUER 51V250	X = 460	SAUER 51C160	X = 239

Different input execution available on demand.

Output dimension

Maximum output torque (Nm)	Capacity of bearings		Weight without motor (Kg)	Oil Quantity (lt)	Brake torque (Nm)	Opening pressure (bar)	Max. brake pressure (bar)
	C dynamic (Kn)	Co static (Kn)					
280000	1080	2360	980	16	2170÷780	17	300
Effective Reduction Ratio							
86.6	97.6	112.6	142.6	161.5	187	223.3	241.5



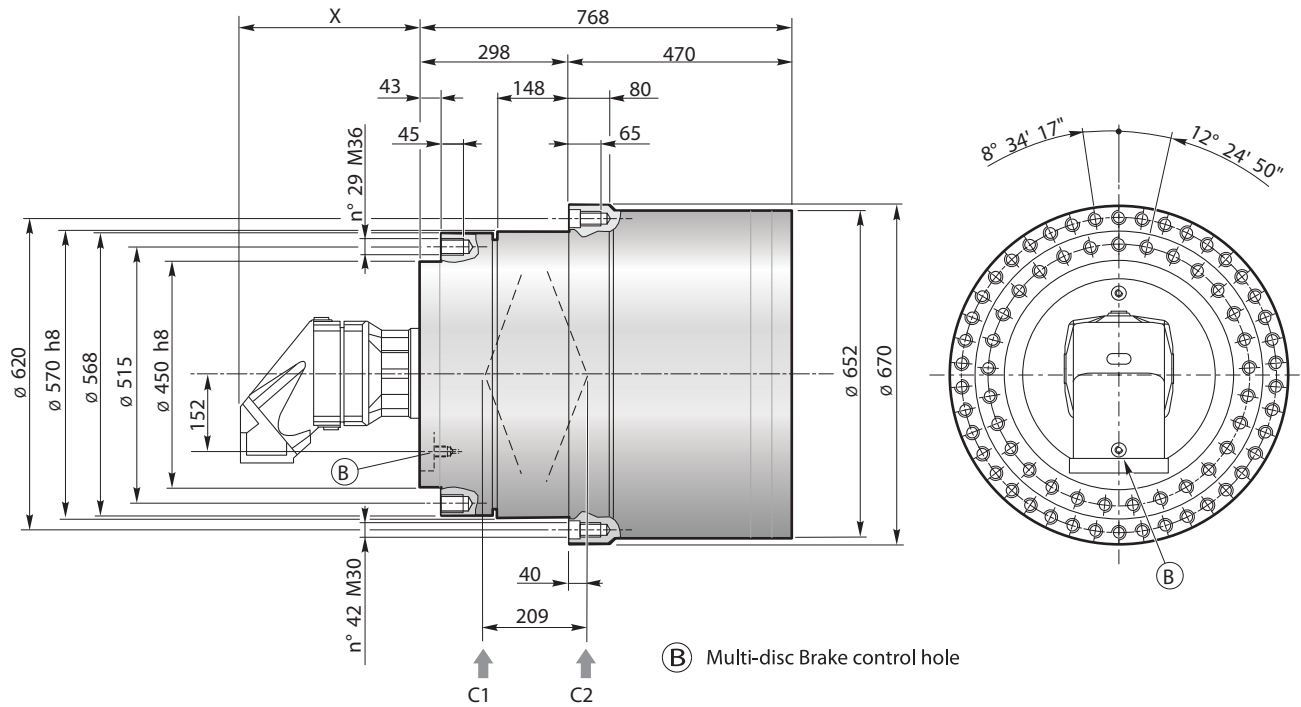
Equipped with Hydraulic motor

VOAC F11-250	X = 431
SAUER 51V250	X = 460

Different input execution available on demand.

Output dimension

Maximum output torque (Nm)	Capacity of bearings		Weight without motor (Kg)	Oil Quantity (lt)	Brake torque (Nm)	Opening pressure (bar)	Max. brake pressure (bar)
	C dynamic (Kn)	Co static (Kn)					
350000	1120	2550	1280	21	3560÷1220	16	300
Effective Reduction Ratio							
86.6	97.6	112.6	142.6	161.5	182.3	223.3	252



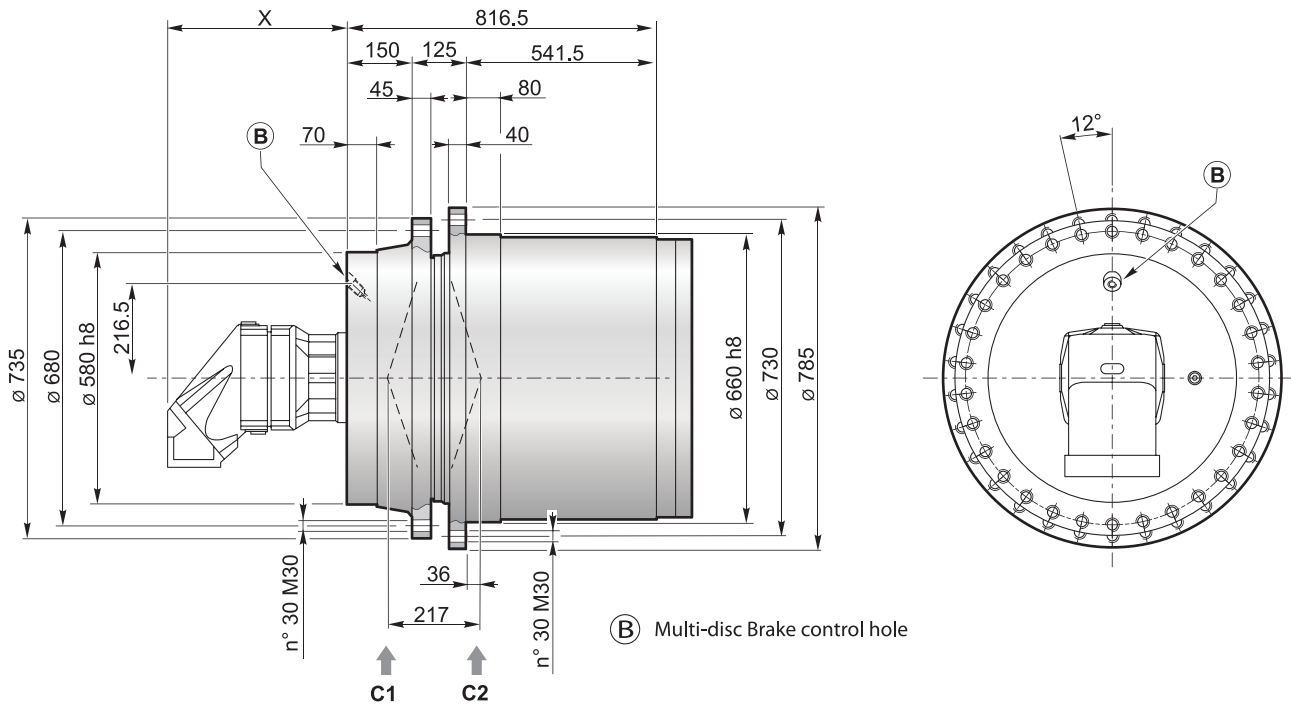
Equipped with Hydraulic motor

VOAC F11-250	X = 431
SAUER 51V250	X = 460

Different input execution available on demand.

Output dimension

Maximum output torque (Nm)	Capacity of bearings		Weight without motor (Kg)	Oil Quantity (lt)	Brake torque (Nm)	Opening pressure (bar)	Max. brake pressure (bar)
	C dynamic (Kn)	Co static (Kn)					
350000	1120	2550	1280	21	3560÷1220	16	300
Effective Reduction Ratio							
86.6	97.6	112.6	142.6	161.5	182.3	223.3	252



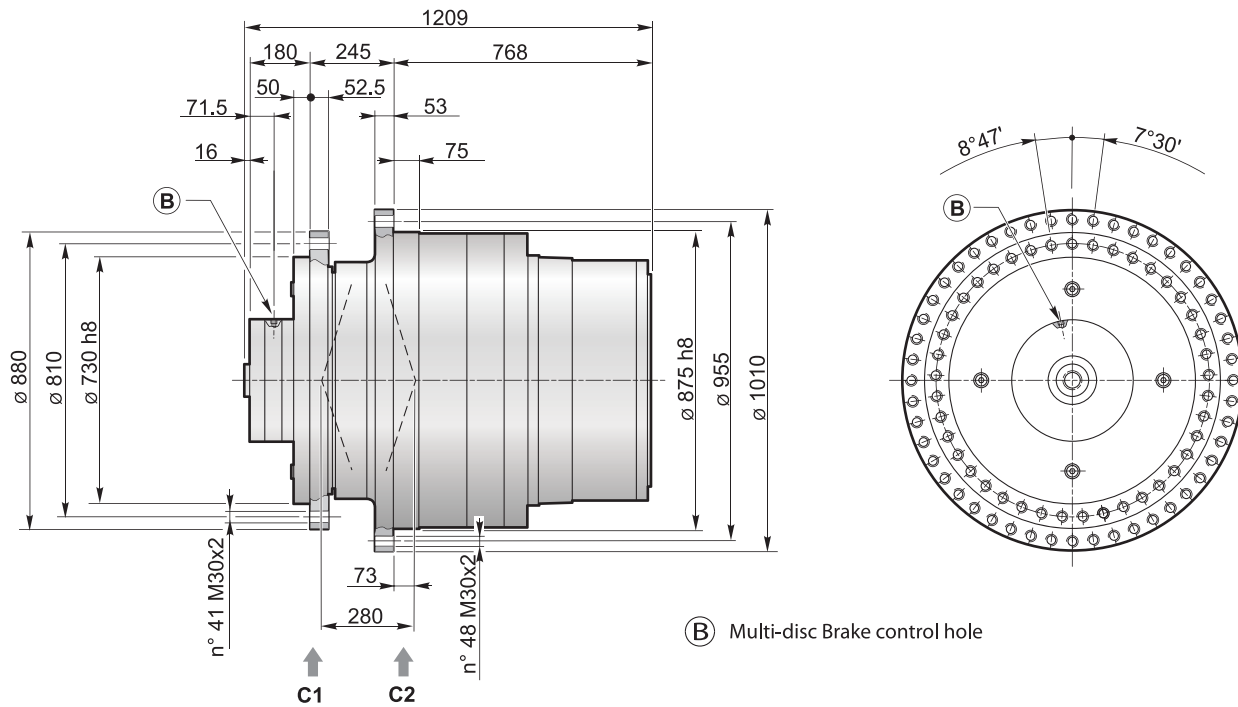
Equipped with Hydraulic motor

VOAC F11-250	X = 431
SAUER 51V250	X = 460

Different input execution available on demand.

Output dimension

Maximum output torque (Nm)	Capacity of bearings		Weight without motor (Kg)	Oil Quantity (lt)	Brake torque (Nm)	Opening pressure (bar)	Max. brake pressure (bar)
	C dynamic (Kn)	Co static (Kn)					
450000	1120	2550	1560	24	3560÷1220	16	300
Effective Reduction Ratio							
97.8	112.6	142.6	161.5	182.3	223.3	252	

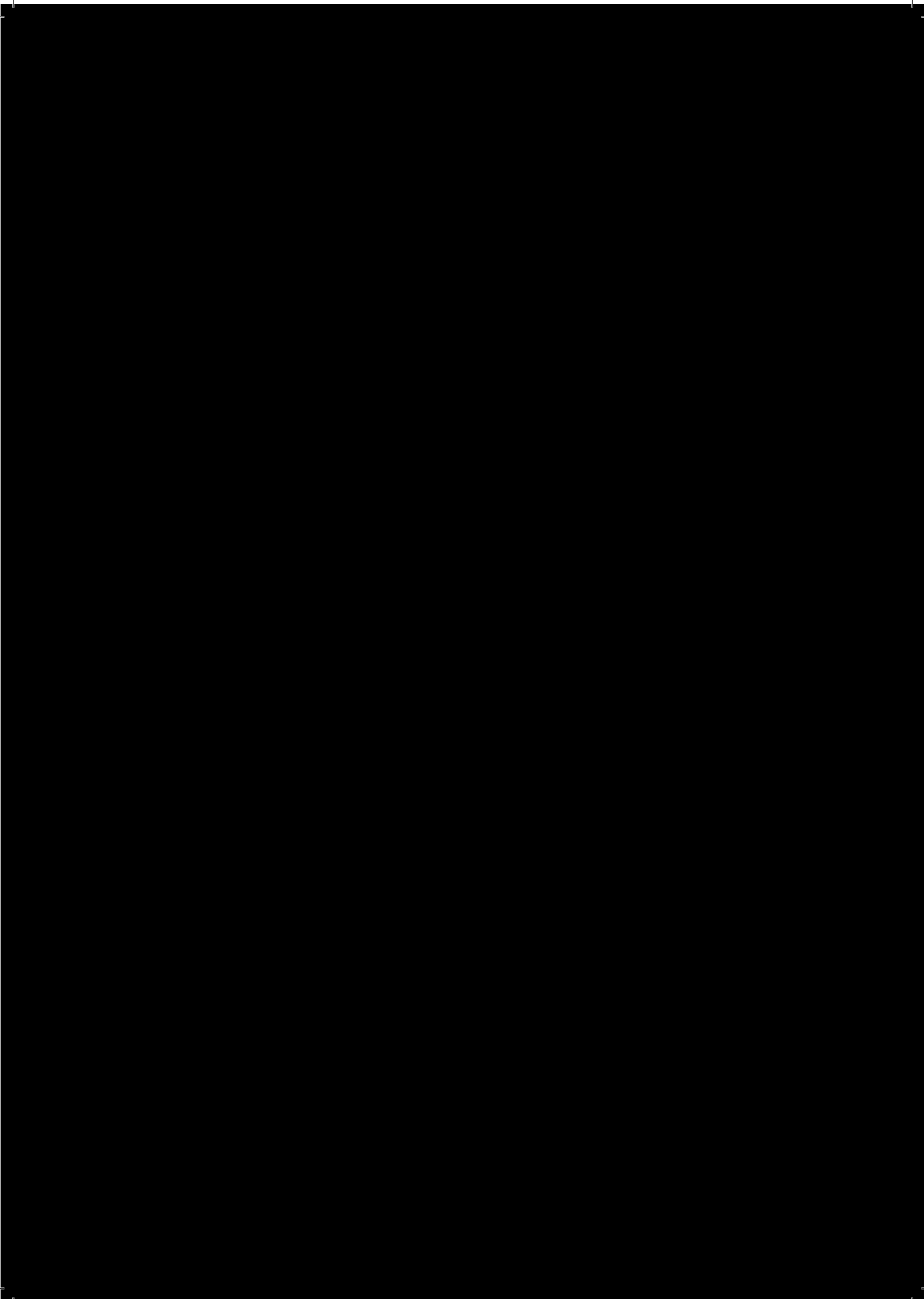


NO INPUT VERSION

Hydraulic motor input on demand

Output dimension

Maximum output torque (Nm)	Capacity of bearings		Weight without motor (Kg)	Oil Quantity (lt)	Brake torque (Nm)	Opening pressure (bar)	Max. brake pressure (bar)
	C dynamic (Kn)	Co static (Kn)					
685000	1380	3050	3120	50	2520÷1350	20	300
Effective Reduction Ratio							
264.1	307.9	378.1	431.7	508.4			



**DINAMIC OIL S.p.A.**

Via Togliatti, 15 - 41030 - Bomporto - Modena - (Italy)
Phone: +39.059.812.611 / Fax: +39.059.812.600
E-mail: sales@dinamicoil.it - www.dinamicoil.com

DINAMIC OIL INTERNATIONAL TRADING (SHANGHAI) CO., LTD.

上海浦东新区康桥工业园区叠桥路168弄128号2幢
Building 2, No. 128, Lane 168 Dieqiao Rd, Kangqiao Industry Park
Pudong New Area - Shanghai - (China)
Zip Code: 201319 Phone: 0086.21.68.87.100 / Fax: 0086.21.68.18.7107

DINAMIC OIL DEUTSCHLAND

Friedenstrasse 63a - 76689 - Karlsdorf - Neuthard - (Germany)
Phone: +49.7251.3929531 / Fax: +49.7251.3929529

DINAMIC OIL NORTH AMERICA INC.

511 Eagleton Downs Drive, Charlotte, NC, 28134 - (USA)
Phone: +1.704.587.4600 / Fax: +1.980.939.6297
Philip Joyce - E-mail: p.joyce@dinamicoil.com

DINAMIC OIL FRANCE

ZI Montbertrand BP 3612 - 38236 Charvieu Cedex - (France)
Phone: +33 (0) 472.46.23.18 / Fax: +33 (0) 472.46.23.27

DINAMIC OIL INDIA PVT LIMITED

Plot N°1295 a MIE Industrial Area Part B Bahadurgarh - Haryana 124507 - (India)
Phone: 0091.1276.267.294 / 0091.1276.267.295
Fax: 0091.1276.267.295 / 0091.1125.287.537

DINAMIC OIL ASIA PACIFIC PTE LTD

471 Tuas South Avenue 1 - Singapore 637249
Phone: +65.6791.0802 - Fax: +65.6791.2661
E-mail: sales@dinamicoilap.com.sg